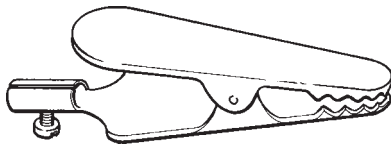


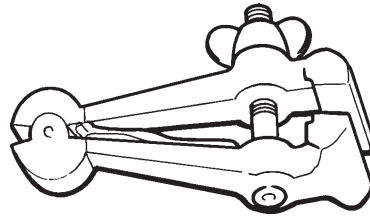
CLAMPING DEVICES

If your unit will be used to hold mainly thin section materials, such as printed circuit boards, or small components in a fairly firm way, then 'crocodile clips' may be an appropriate solution.

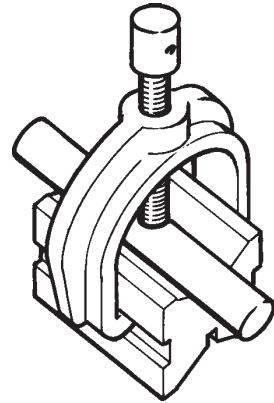


Because the jaws of the clip are spring-loaded, it is not possible to adjust the amount of grip. Soft materials may well be damaged by the teeth of the crocodile! You may wish to consider alternative designs that allow the amount of grip to be varied, and controlled. If you decide that a fastener based around a screwthread is a good solution, then remember the 'design for manufacture' considerations by keeping the number of different sizes of threads used to a minimum.

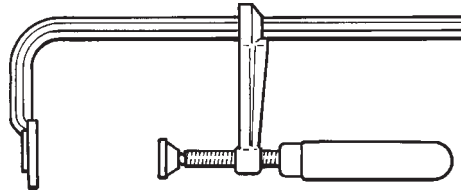
There are many examples of holding and clamping mechanisms already in use in the technology area of your school and college. It may well be that you can adapt some of these ideas as part of your design work for the clamp.



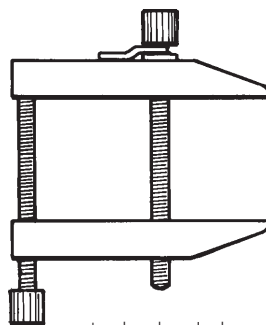
hand vice



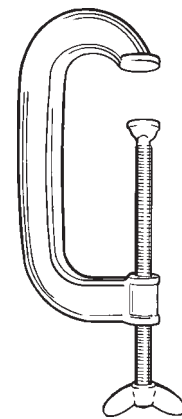
crab clamps



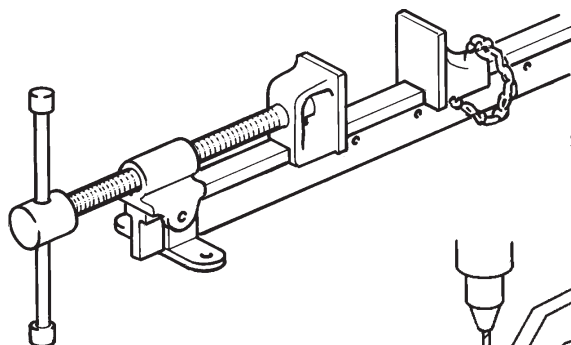
'L' clamp



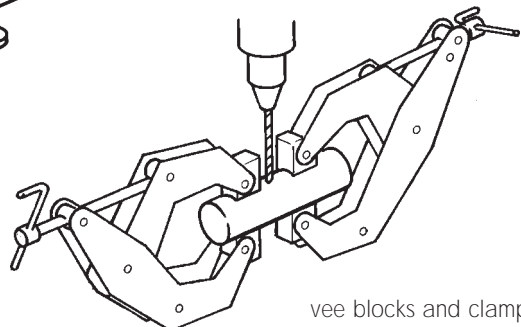
toolmakers' clamp



G clamp



sash clamp



vee blocks and clamp

